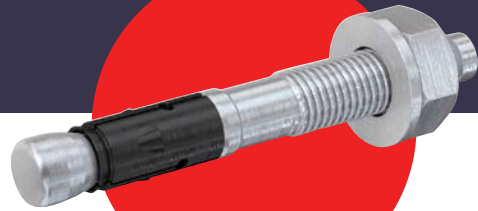




PARADIGME  
Specialised Fixings Systems

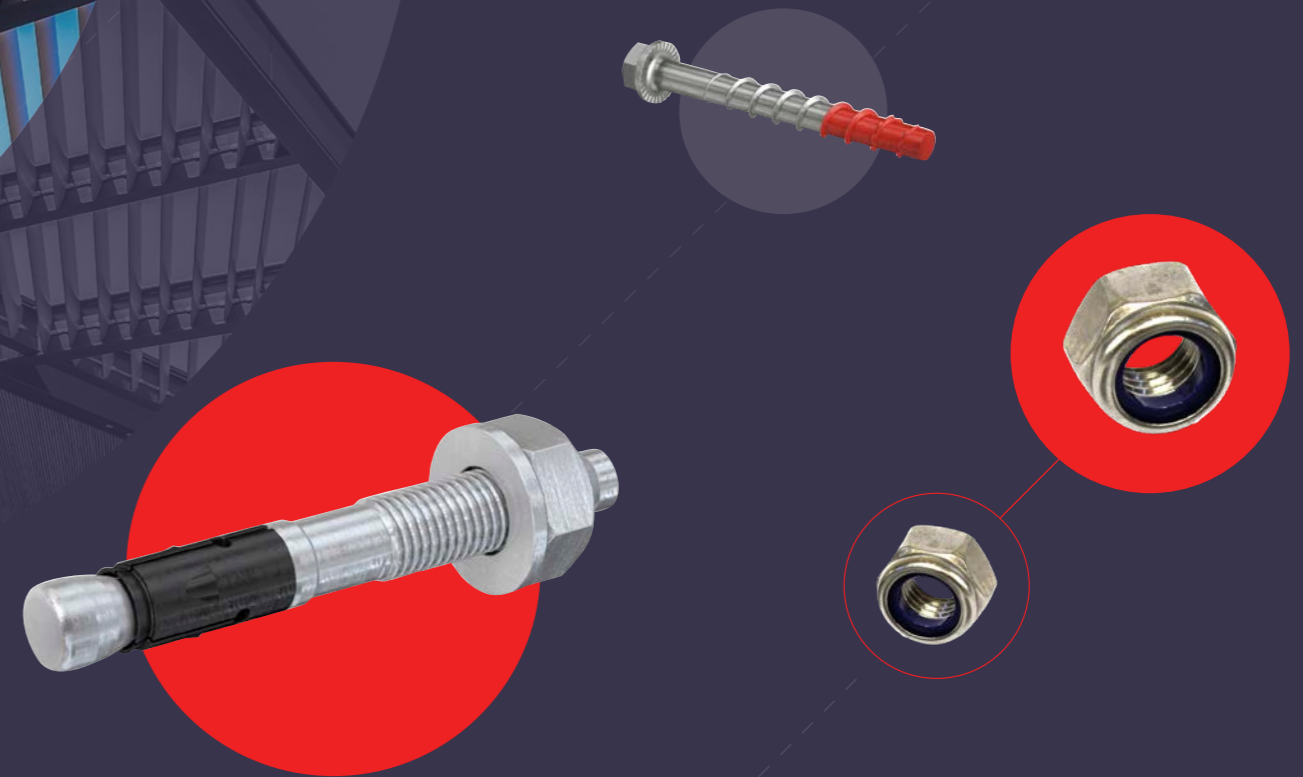
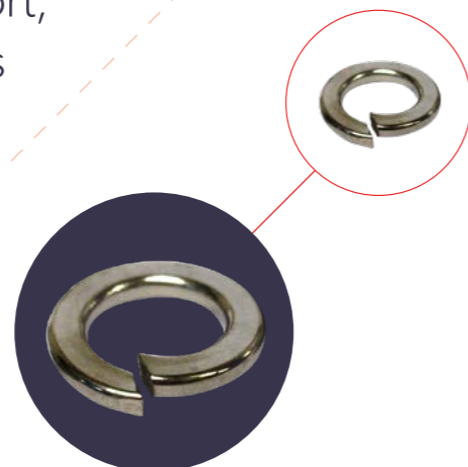
# SPECIALISED FIXING SYSTEMS.

Specialist suppliers to the Façade,  
Solar Shading and Rainscreen industry.



WE ARE PARADIGME  
**LEADING  
 THE WAY IN  
 FASTENERS  
 AND FIXINGS.**

Paradigme Ltd are specialist suppliers of certified, structural and architectural components for Building envelope Contractors. We have a wealth of experience and supply market leading companies who manufacture, supply and install Architectural façades, rainscreen cladding and solar shading. We are committed to providing reliable service, technical support, high quality products and accurate deliveries to our clients.



### CORE VALUES:

**Approachable** – We are pleasant and friendly to work with and willingly on hand to help out. Our customers needs are the focus of what we do, so if in doubt give us a call to discuss.

**Buoyant** – There's always pressures and deadlines. At Paradigme we are a resilient team with a cheerful, reliant and flexible attitude. We are passionate and enthusiastic in our approach.

**Clarity** – Construction projects bring hundreds of questions everyday. Our team are committed to providing simplicity and clarity for our clients requirements.

**Dependable** – We are accountable and integrity upholds every decision, ensuring we are a trustworthy team to put your confidence in. Our aptitude is helping and solving.

**Evolve** – We have a growth mindset and always on the look out to realise, expand and pursue opportunities. We believe there is always a better way to do things and are always striving for improvement and new ideas.

### WHY PARADIGME?

- Customised products including Powder coating, chemical blackening and Torque patching.
- Products delivered in tough weatherproof tubs to assist in storing and moving around on construction sites.
- We offer a split packaging and labelling service. If fixings are going to different building elevations, site compounds or multiple buildings on one site, we split and label the tubs to specific areas ensuring clarity and control on site.
- Free samples available for product testing and review.

### OUR MISSION

To be the most accredited supplier of carrier systems, fasteners and components to Building envelope manufacturers and contractors.

# WE PROVIDE

## FASTENERS AND FIXINGS FOR:



### LOUVRES

For Manufacturers, suppliers or installers working on projects involving Architectural, Acoustic, Timber and Bespoke Louvres there are many factors to think about. From good all round weather protection for conventional areas, through to more sensitive applications where a high performance louvre is important for buildings exposed high wind, rain or environment factors. Paradigme focus on being your expert fixings partner supplying all your fixings and fasteners for Vertical supports, horizontal rails, mullions, flashings and blanking components.

Paradigme make sure we have a wide range of high quality and certified fasteners in A2 Stainless Steel for standard use, A4 Stainless Steel for marine and harsh environments along with Hot Dip Galvanised components to meet every requirement.



### ARCHITECTURAL AND CLIMATE FACADES

Architectural Facades are an increasingly important aesthetic component of modern buildings, along with practical qualities such as cutting out light and noise pollution from within a multi-storey carpark or improving energy efficiency for a building. At Paradigme we make sure that the Façade system is proficiently supported, not only with compliant fixings but also aesthetically pleasing to the eye. Fixings are available powder coated in a large range of RAL colours and chemical blackened. We supply fixings for solid or perforated panels, expanded mesh, vertical and twisted fin facades. Contact Paradigme for fixings on your façade projects.

Our experience and understanding of construction projects allow us to source fixings and components for all your building envelope needs.



### RAINSCREEN CLADDING

Rainscreen cladding is a very popular way to insulate modern buildings playing a big part in protecting the building, improving thermal performance, reducing heat loss and helps prevent the spread of fire. From substructure mullions and brackets to facing panels of various materials Paradigme ensure you have access to certified and compliant fixings for your project.

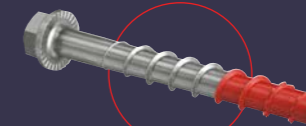


### BRISE SOLEIL

Brise Soleil or Solar Shading systems are available in many different materials and finishes and increasingly used as Architectural features. It is not only important to ensure your system is capably supported with compliant fixings but also aesthetically pleasing to the eye. At Paradigme we offer customised products with fixings available powder coated in a large range of RAL colours and chemical blackened for Architectural appearance. We also offer a torq patching service applied to the thread ensuring excellent vibration resistance in extreme environments.

# OUR PRODUCTS.

Paradigme stock a large number of products and offer customized requirements such as chemical blackening and torque patching. If you have bespoke requirements contact us and find out how we can help.



## ANCHORS



High performance metal expanding, nylon expanding, resin anchors and through bolts.

## BOLTS



High tensile hex, socket and security head bolts. MolaBolts, BlindBolts and Threaded rods.

## NUTS



Hex, Dome, Nylok and barrel nuts, wing nuts and security nuts.

## WASHERS



Spring washers, Form A, B, C, G, G washers, penny, plate and square washers.

## PAINTS



Aerosol spary paints to various RAL colours.

## SCREWS



Woodscrews, self drilling, self tapping and Tek screws. Stickers, halter, general drillscrews and firewall fixings.

## RIVETS



Standard, dome, countersunk head rivets, large flange head and trim-grip rivets.

## PACKERS



Aluminium horseshoe packers, Galvanised load bearing and plastic packers.

## ACCESSORIES



Silicone and cartridge sealants, tapes, strip sealants and membranes.

## TOOLS



Masonry, metal, SDS drills and taps.

## TESTIMONIAL

Fasteners and fixings are often needed at short notice for site requirements, and smooth delivery of projects, and it is good to have a trustworthy supplier in Paradigme that you can rely on for consistency and peace of mind. Paradigme are fantastic to work with, have a 'can do' attitude, strong product knowledge, and will always go the extra mile to fulfil requirements.

They pack all our orders in protective tubs labelled to specific site locations to save time and wastage on site for our install teams. Its assuring to work with a company who understands construction site conditions, and for any large, small, or bespoke orders I would highly recommend Paradigme as a trusted supplier.

Kirk Hutchins – Senior Procurement Manager



Visit our website for our full product range

[paradigme.co.uk](http://paradigme.co.uk)

Email us at [sales@paradigme.co.uk](mailto:sales@paradigme.co.uk)

Call us on 0161 470 2857



Scan to visit our website!

[paradigme.co.uk](http://paradigme.co.uk)

# SPECIALISED FIXING SYSTEMS.

Visit our website for our full product range

[paradigme.co.uk](http://paradigme.co.uk)

Email us at [sales@paradigme.co.uk](mailto:sales@paradigme.co.uk)

Call us on **0161 470 2857**

Pepper Road, Hazel Grove, Stockport, SK7 5BW



Scan to visit our  
website!



**PARADIGME.**  
Specialised Fixings Systems